

Universal Loader **K2**



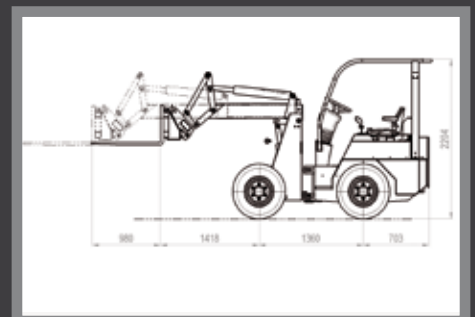
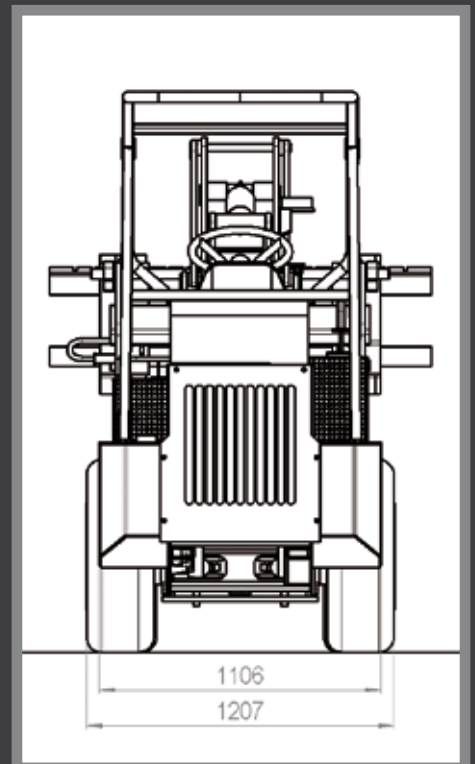
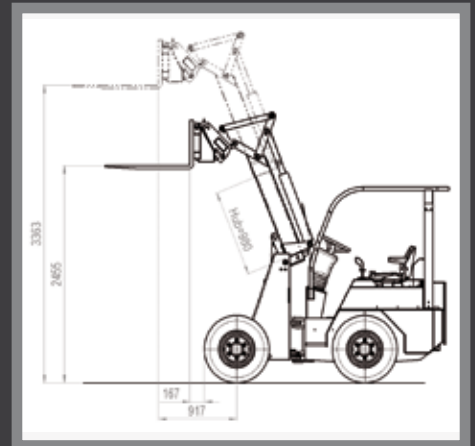
In-house development and production according to CE standards



Schlingenerstraße 2a ▪ D-87668 Rieden ▪ Tel.: +49 8346 982026
E-Mail: info@ostler-maschinen.de ▪ www.ostler-maschinenbau.com

Technical Data

Weights	
Unladen weight	1750 kg
Front section	590 kg
Rear section	1160 kg
Engine	
Engine/Manufacturer	403D-15/Perkins (diesel engine)
Cooling/number of cylinders	Water/3
Performance/cylinder capacity	24,4KW/32,8PS/1496 m ³
Speed	2800 U/min.
Fuel tank	Diesel/20l
Electrical System	12V
Drive	continously variable
Driven axles	front and rear
Tyres (Standard)/tyre pressure	width 1,20 m
10.0/75-15.3 AS	
Performance (lateral counterweight, standard since 2011)	
Tipping load (run in)	1300 kg (with counterweight)
Tipping load (extended)	1000 kg (with counterweight)
Lifting force	1600 kg (with counterweight)
Lifting height (lower edge pallet bracket)	330 cm
Brakes	
Service brake	hydrostatic
Parking brake	rear spring-loaded brake
Steering	
Steering type	pivoting articulation
Steering approval	hydraulic
Driving speed	0-18 km/h
Steering column	comfort steering column (vertically adjustable and inclinable) incl. working hour meter and fuel gauge
Seat	
	comfort seat with safety belt (each with integrated contact switch)
Hydraulic system	
Flow rate hydraulic system	56l
Flow rate drive	116l
System pressure for flow rate hydraulic system	180 bar
System pressure for driving gear	400 bar
Hydraulic tank	40l
Tool installation	
EURO standard attachment with mechanical locking (standard equipment)	
Turning radius (with standard tyres)	
On inner edge	1180 mm
On outer edge	2180 mm



Dimensions are not binding. Changes in design may be subjects to alterations.